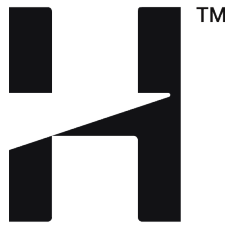
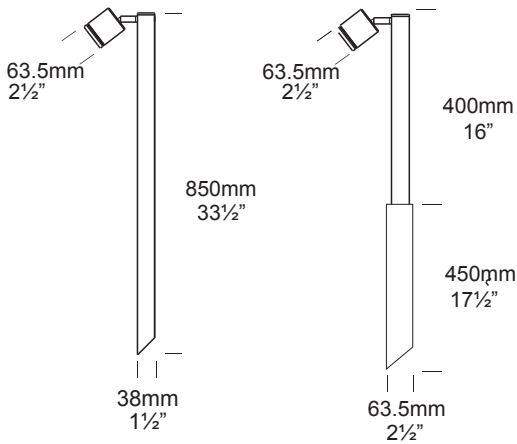


Single Pole Lite PURE LED

Cat. No. SPL/L



PURE LED
Pure Performance



The Single Pole Lite Pure Led has an individual spotlight connected to a fully adjustable arm allowing 360° rotation and 0-90° elevation. The fixture is ideal for path lighting as well as tree lighting. The head may be aimed downward to create eliminate vertical light.

The Retro™, which is a mains option, avoids the need to bury a driver. The 110/240 volt electronic driver is built into the pole. This changes the luminaire to an IP56 rating.

The Hunza PURE LED system uses Cree MT-G 2 chips for maximum performance and long life. Power supply options include a choice of integral 12 or 120/240 volt (Retro) drivers. There is also an external remote (series connection) driver option. The PURE LED system incorporates Hunza's Plug and Play system for easy replacement of the LED engine. Four beam angles and a choice of Warm or Cool White colour temperatures are available.

*At 700mA this fixture is the equivalent of a 35watt halogen.
*At 1050mA this fixture is the equivalent of a 50watt halogen.

Ordering Information

Luminaire	Driver mA	Beam Angle	Colour Temp	Accessories	Material/Finish
SPL/L	S - Series D7 - 12v 700mA D10 - 12v 1050mA RE - 240v 700mA RU - 110v 700mA	15 - 15° TIR Lens 25 - 25° TIR Lens 38 - 38° TIR Lens 60 - 60° TIR Lens	2 - 2700K 3 - 3000K 4 - 4000K	CJK150 - Cable Joint Kit STEPF - Frosted Lens HCL - Hex Cell Louvre GG - Glare Guard SSP/G - Super Spike (for 25mm pole only)	BK - Black BZ - Bronze GN - Green STAR - Silver Star WH - White WB - Birch DG - Dark Grey OG - Olive Green RG - Beige PR - Primrose COP - Copper SS - 316 Stainless

Ordering Example: SPL/L S 15 3 CJK150 BK

HUNZA™ PURE OUTDOOR LIGHTING

HUNZA FACTORY
130 Felton Mathew Ave
Saint Johns
Auckland 1072
New Zealand

Ph: 64-9-528 9471
Fax: 64-9-528 9361
hunza@hunza.co.nz
www.hunza.co.nz

INTERNATIONAL CONTACTS:
www.hunza.co.nz/contacts.php

Specifications may change without notice.
Manufactured in New Zealand.
© 2015 Hunza Holdings Ltd.

Luminaire Construction

CNC machined from:

Aluminium

Body - High corrosion resistant 63.5mm (2½") x 10mm (25/64").
Endcap - 63.5mm (2½") solid rod, with chromate substrate and high UV resistant polyester powder coat. Colours - Black, Bronze, Green, Silver Star, White, Birch, Dark Grey, Olive Green, Beige, Primrose.

Copper

Body - 63.5mm (2½) x 10mm (25/64").
Endcap - 63.5mm (2½) sold rod.

316 Stainless Steel

Body - 63.5mm (2½) x 9mm (23/64")
Endcap - 63.5mm (2½) solid rod.

Poles - Standard

Aluminium, Copper and 316 Stainless Steel - 850mm (33½") x 38mm (1½") tube.

Poles - Retro™

410mm (16") x 38mm (1½") tube.
Transformer housing - 440mm (17½") x 63.5mm (2½") tube.

Luminaire Weight

12 volt Alum 1.000kg (2lb 3oz)
Cop 2.300kg (5lb 1oz)
SS 2.100kg (4lb 10oz)

Retro™ Alum 2.100kg (4lb 10oz)
Cop 3.300kg (5lb 1oz)
SS 2.100kg (4lb 10oz)

Luminaire Features

Lens:

10mm (3/8") extra clear low iron flush fit shatter resistant glass. Lifetime Warranty.

Gasket:

Silicone, iron impregnated 220°C (428°F).

Accessories:

Cable Joint Kit (Cat. CJK150)
Frosted Lens (Cat. LENSSTEPF)
Glare Guard (Cat. GG)
Hex Cell Louvre (Cat. HCL)
Super Spike (Cat. SSP/G)
(for 25mm pole only)

Swivel

Aluminium and Copper luminaires - 360° rotation and 0-90° elevation solid brass with anti-rust spring.

Stainless Steel luminaires - 360° rotation and 0-90° elevation, full stainless steel construction.

Mounting

850mm (33½") pole is directly mounted into the earth. Retro™ to be set in concrete.

Technical Information

Standards

AS/NZS 61046
IP56/IP66 UL 1838

LED

Cree MTG-2 Plug and Play, field replaceable LED board.

Lumen Output: 600 at 1050mA

Lumens Per watt: 100 at 6 watts

CRI Warm White (3000k): 85+

Colour Temp: 2700K, 3000K and 4000K

Power Supply

Series (External) Driver

Constant current driver
Output: 6vdc at 1050mA maximum

Integral 12 Volt Driver

Hunza™ Plug and Play Driver
Input: 12vac, 7 watt total
Output: 6vdc nominal, 350 / 700 / 1050mA

Transformer

Hunza™ Wall Mount Transformer for use with integral 12 volt driver

Retro 110/240 Volt Driver

Hunza™ Retro Driver
Input: 120/240vac, 5 watt total
Output: 6vdc, 700mA
0-10 volt dimming
(USA - non dimming)